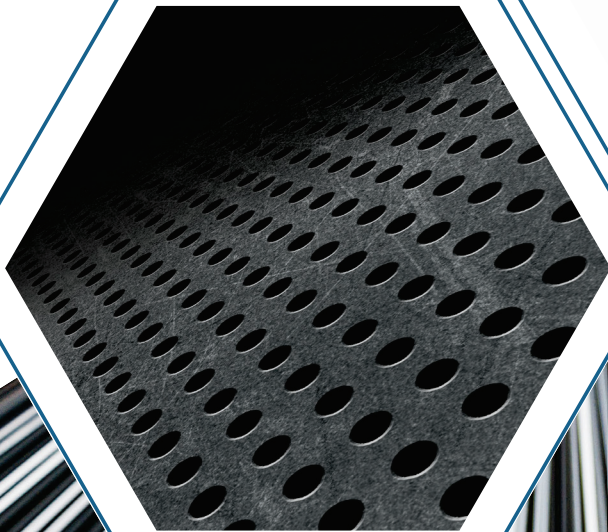
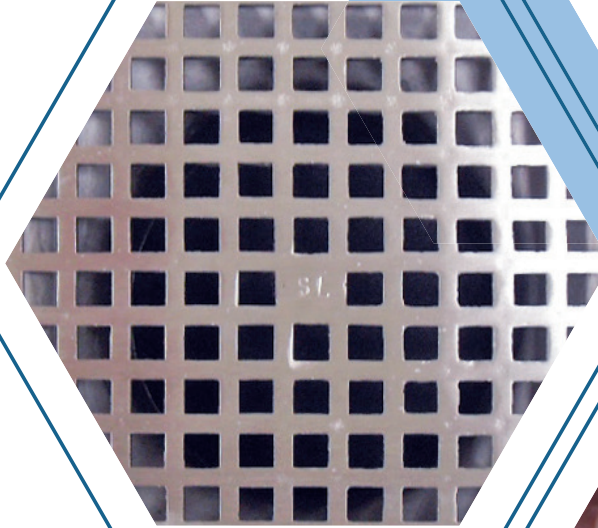
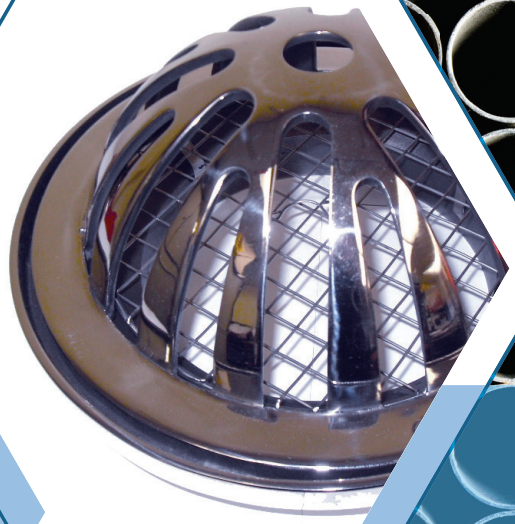


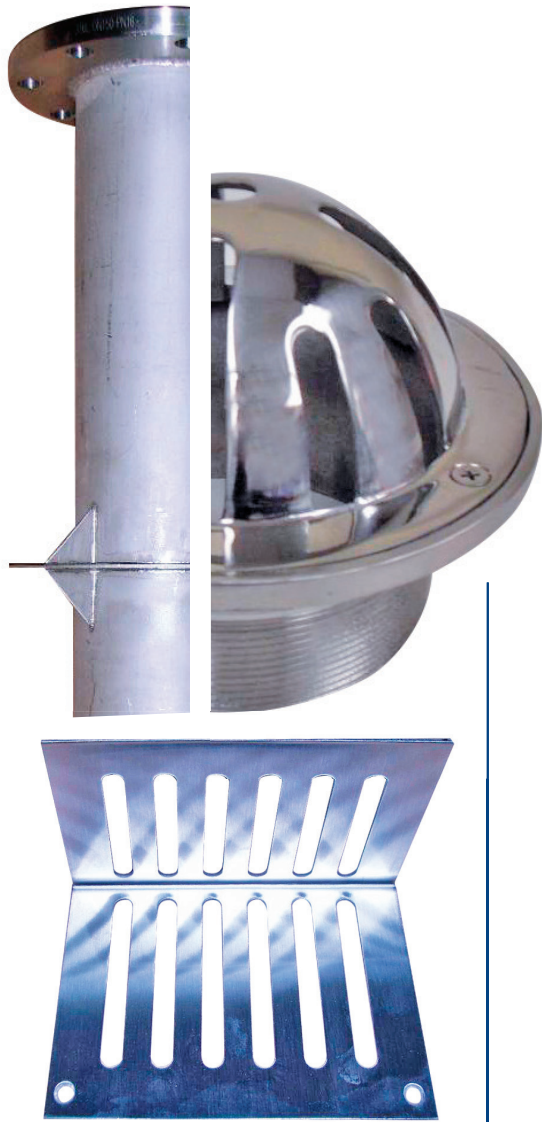
# S.L.



# STAINLESS STEEL

OTHER METAL SERIES &  
PUDDLE FLANGES





**Channel Win (H.K.) Ltd.** is one of the major suppliers of construction material and underground drainage products in Hong Kong. We have been in this industry for more than five decades, specializing in manufacturing cast iron pipes, manhole covers, channel gratings, hot dip galvanized products, epoxy products, cast iron fittings, bronze and stainless steel products. We have involved in various construction projects in Hong Kong, mainland China and Macau.

To accommodate clients' ad hoc construction needs, Channel Win (H.K.) Ltd. has a warehouse of over 10,000 sq. feet in New Territories with sufficient level of stock. At Channel Win (H.K.) Ltd., it is always customers first and we are committed to provide our customers with quality products and outstanding services.

**昌永(香港)有限公司**是香港主要建材及地渠產品供應商之一，在行內已有超過五十年歷史，經銷水喉、渠務及建築行業使用的鑄造產品，專業經營臭氣管，壓力管，沙井蓋板、明渠梳冷、熱浸鋅產品、紅坭產品、生鐵配件、銅製件及不銹鋼產品。

為提供快捷的服務以迎合客人需要，本公司在新界增設萬多平方尺的倉庫，存貨充足。昌永秉承品種齊備，質量第一及客戶至上的宗旨，為顧客提供優良的服務。

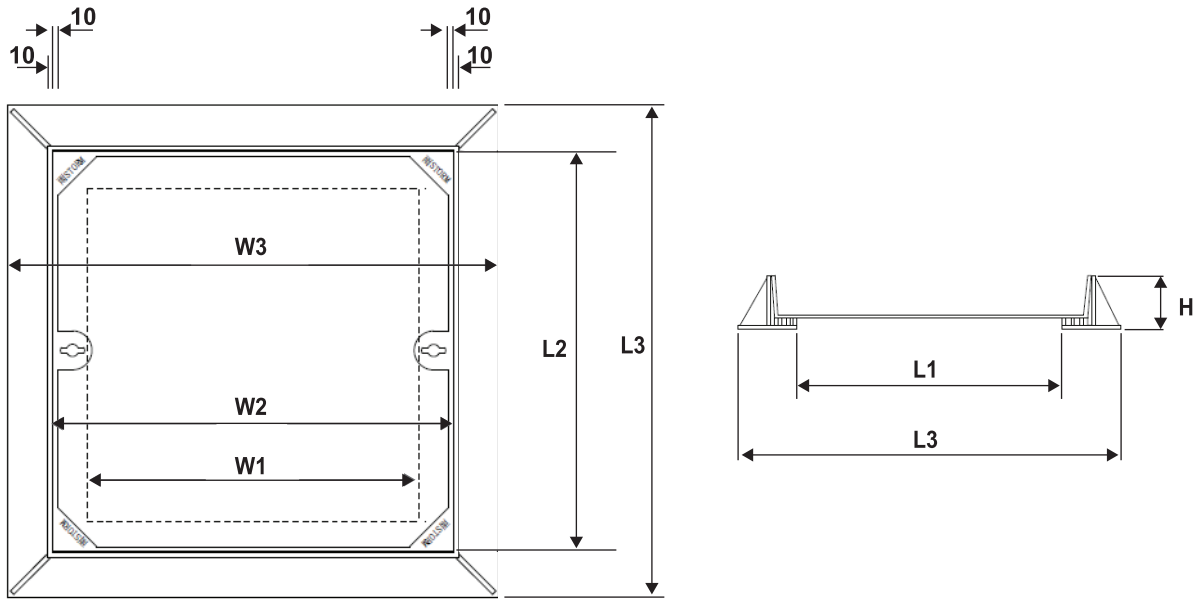
ABOUT US



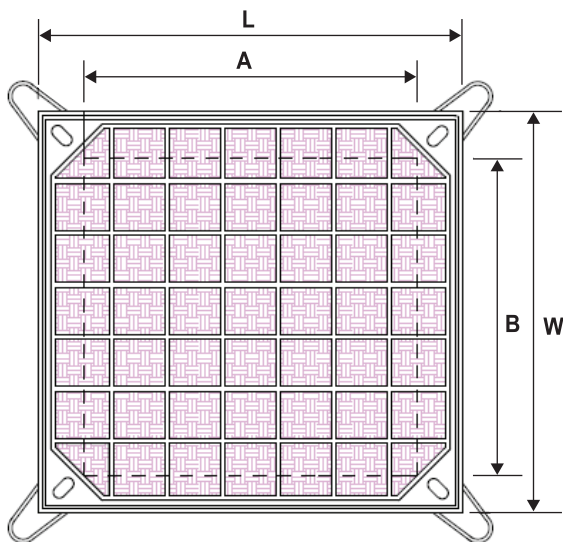
# CONTENTS

- 03 關於我們  
About Us
- 05 不銹鋼 / 熱浸鍍鋅井蓋  
STAINLESS STEEL / HOT DIP GALVANISED MILD STEEL MANHOLE COVERS
- 07 不銹鋼 / 熱浸鍍鋅井蓋  
STAINLESS STEEL / HOT DIP GALVANISED MILD STEEL MANHOLE COVERS
- 07 不銹鋼隔油缸 / 水缸  
STAINLESS STEEL GREASE TRAP/WATER TANK
- 08 不銹鋼龍頭箱 / 水制箱  
STAINLESS STEEL WATER POINT BOX
- 08 不銹鋼 / 熱浸鍍鋅砌磚去水蓋  
STAINLESS STEEL / HOT DIP GALVANISED MILD STEEL DRAINAGE TRAY
- 09 不銹鋼 / 熱浸鍍鋅砌磚渠蓋  
STAINLESS STEEL / HOT DIP GALVANISED MILD STEEL DRAINAGE TRAY
- 10 不銹鋼 / 熱浸鍍鋅梳冷  
STAINLESS STEEL / HOT DIP GALVANISED MILD STEEL GRATINGS
- 12 不銹鋼/熱浸鍍鋅去水斗  
STAINLESS STEEL / HOT DIP GALVANISED MILD STEEL FLOOR DRAINS
- 15 不銹鋼 / 熱浸鍍鋅板  
STAINLESS STEEL / HOT DIP GALVANISED MILD STEEL PANELS
- 15 不銹鋼角鋼 / 角鐵  
STAINLESS STEEL ANGEL BRACKETS
- 16 黃銅隔氣  
BRASS ANTI-SYPHON P-TRAP
- 17 不銹鋼佛冷過缸喉  
STAINLESS STEEL PUDDLE FLANGES
- 17 炮銅佛冷過缸喉  
GUNMETAL PUDDLE FLANGES
- 18 生鐵佛冷過缸喉  
CAST IRON PUDDLE FLANGES
- 19 球墨佛冷過缸喉(PN16)  
DUCTILE IRON PUDDLE FLANGES (PN16)
- 20 球墨佛冷過缸喉配開邊夾 (PN16)  
DUCTILE IRON PUDDLE FLANGES WITH SPLIT-GLAND CLIP (PN16)
- 21 塑膠佛冷過缸喉  
PVC PUDDLE FLANGES

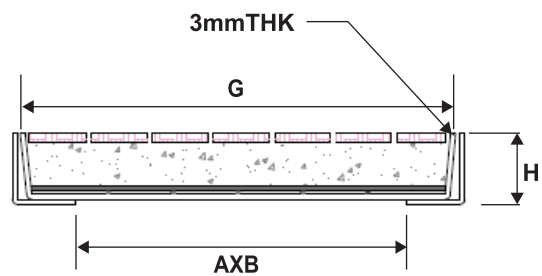
雙止口井蓋 Double seal manhole cover



L1 (mm)	W1 (mm)	L2 (mm)	W2 (mm)	L3 (mm)	W3 (mm)	H (mm)	THK (mm)
675	675	825	825	915	915	150	5
800	600	950	750	1040	840	150	5



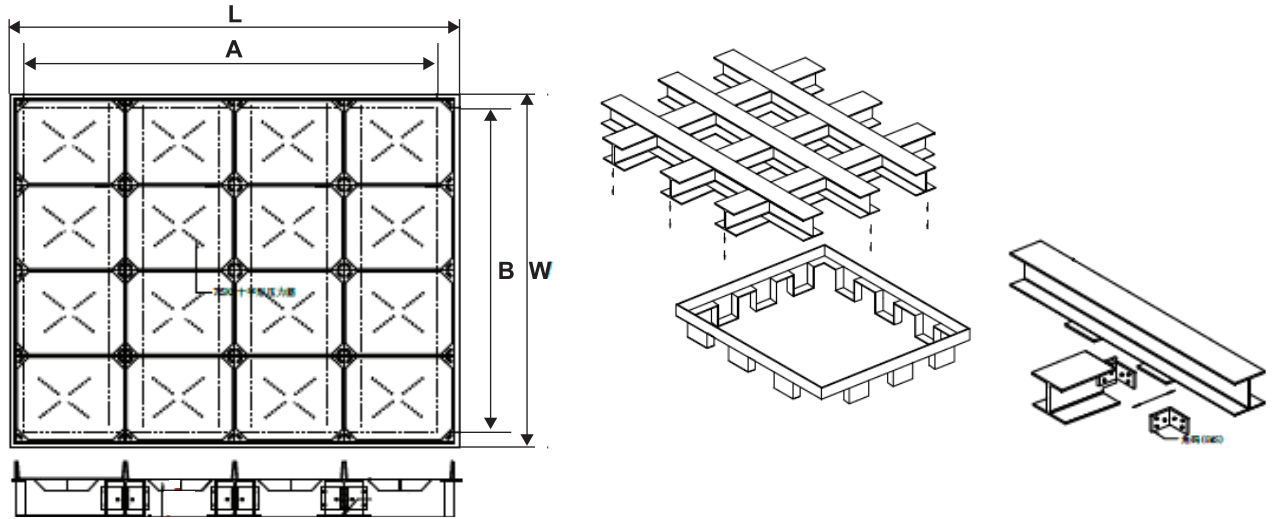
砌磚井蓋 Recessed matching manhole cover



L (mm)	W (mm)	A (mm)	B (mm)	H (mm)	G (mm)	THK (mm)
400	400	300	300	78	390	3
550	550	450	450	78	540	3
650	650	550	550	78	640	3
900	900	800	800	78	890	3

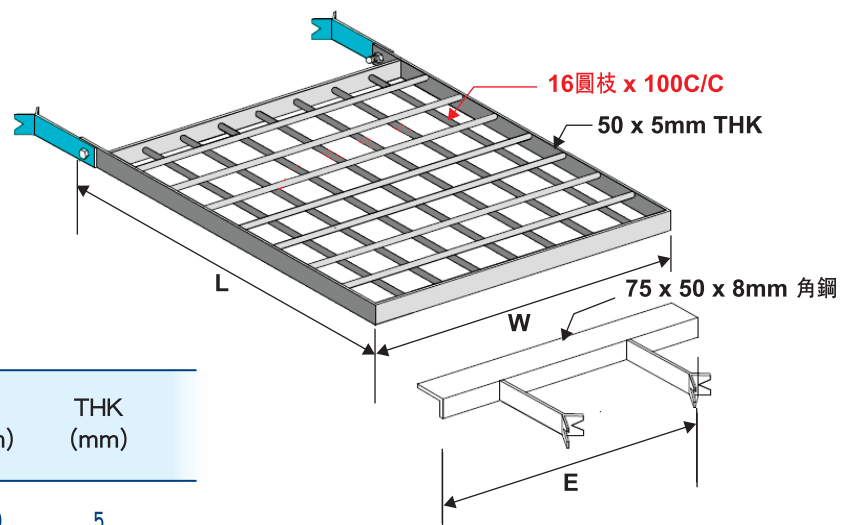
以上圖示僅供參考，所有尺寸均以真實產品為準。產品種類及尺寸未能盡錄，可特別訂造其他尺寸及產品。  
All illustrations and diagrams are not drawn to scale, please refer to the original products for dimensions. Other dimensions and products can be custom made upon request.

組合井蓋 Combination manhole cover



L (mm)	W (mm)	A (mm)	B (mm)	H (mm)	THK (mm)
2150	2150	2000	2000	120	5
2650	2650	2500	2500	120	5
3150	3150	3000	3000	150	5
3650	3650	3500	3500	150	5

有較井蓋 Hinged manhole cover



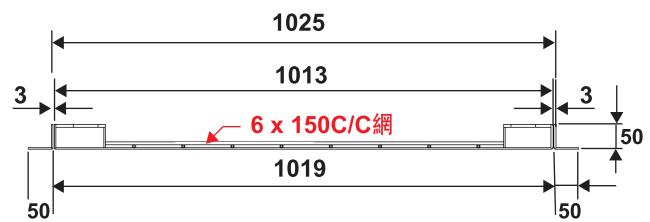
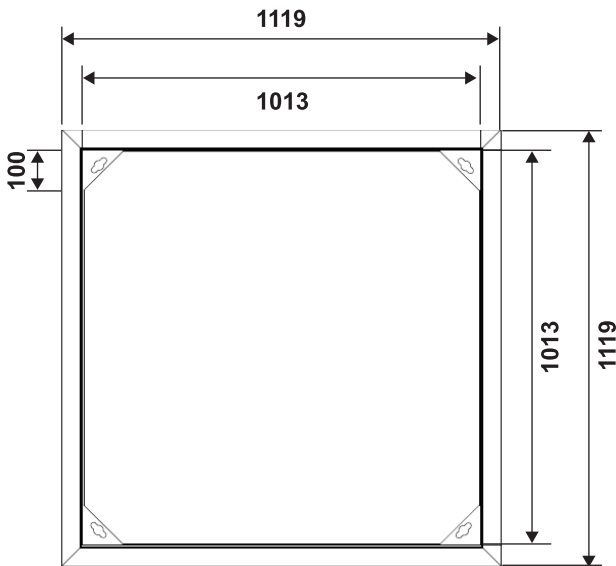
L (mm)	W (mm)	E (mm)	THK (mm)
550	550	460	5
675	675	585	5
900	900	810	5
1000	1000	910	5

## 不銹鋼/熱浸鍍鋅井蓋 STAINLESS STEEL/HOT DIP GALVANISED MILD STEEL MANHOLE COVERS

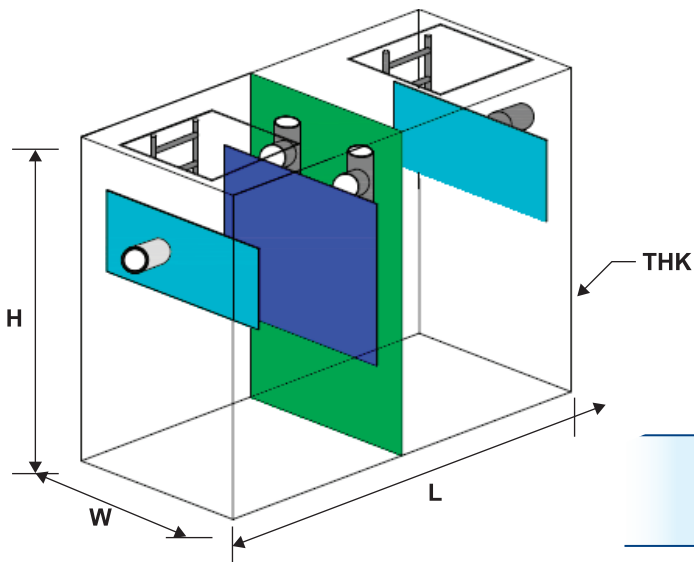
### 反角型井蓋 Inversed angle cover

875x875mm井口 (1025x1025mm 外框)

875x875mm opening (1025x1025mm frame)

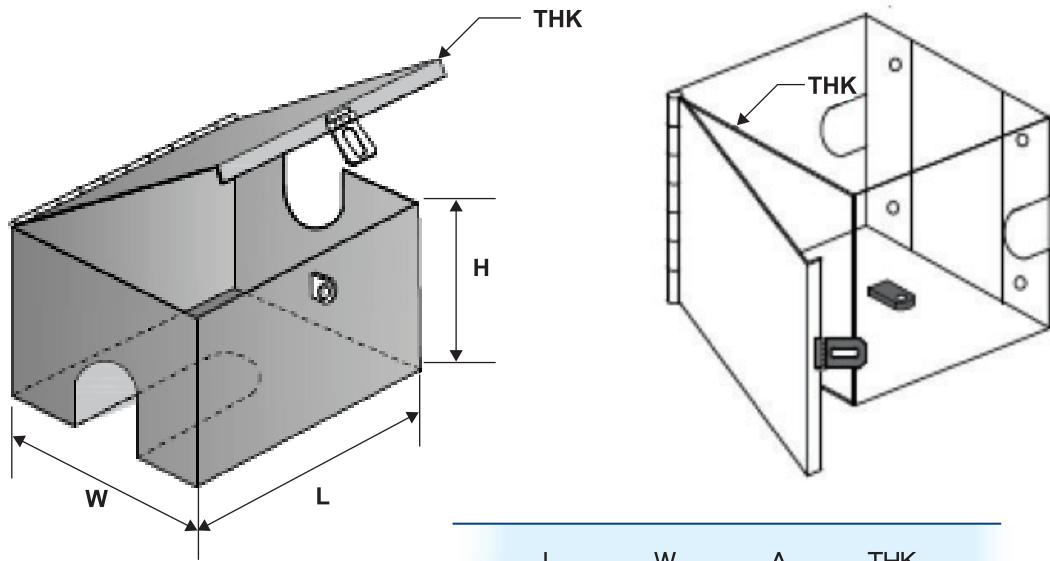


## 不銹鋼隔油缸/水缸 STAINLESS STEEL GREASE TRAP/WATER TANK



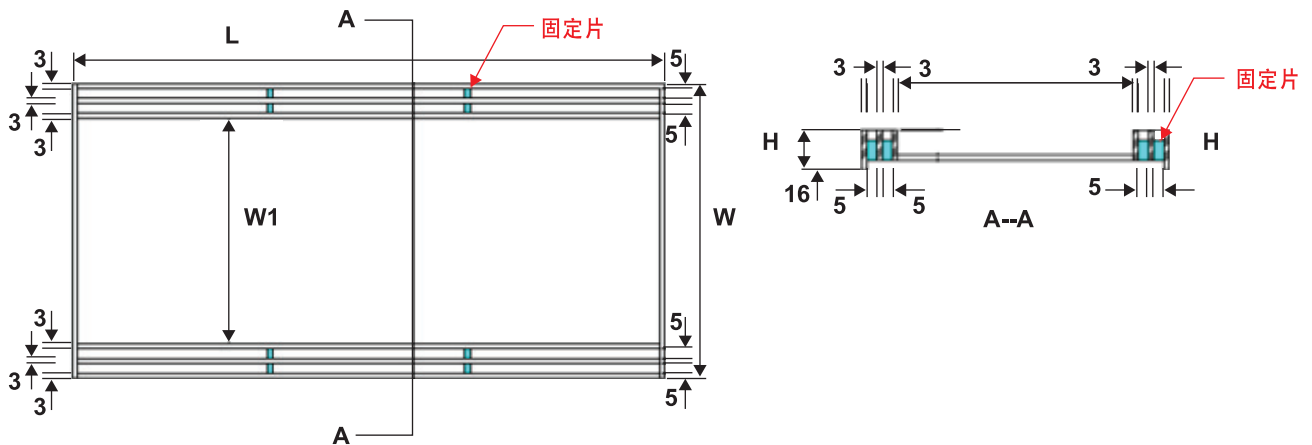
L (mm)	W (mm)	H (mm)	THK (mm)
800	500	500	3
1000	800	800	3
1200	1000	1200	3
1500	1000	1500	4
2000	1200	1800	4
2500	1400	2000	5
3000	1500	2000	6

## 不銹鋼龍頭箱/水制箱 STAINLESS STEEL WATER POINT BOX



L (mm)	W (mm)	A (mm)	THK (mm)
200	150	150	1.5
200	150	200	1.5
200	200	150	1.5
250	200	200	2.0
250	250	200	2.0
250	200	250	2.0

## 不銹鋼/熱浸鍍鋅砌磚去水蓋 STAINLESS STEEL / HOT DIP GALVANISED MILD STEEL DRAINAGE TRAY

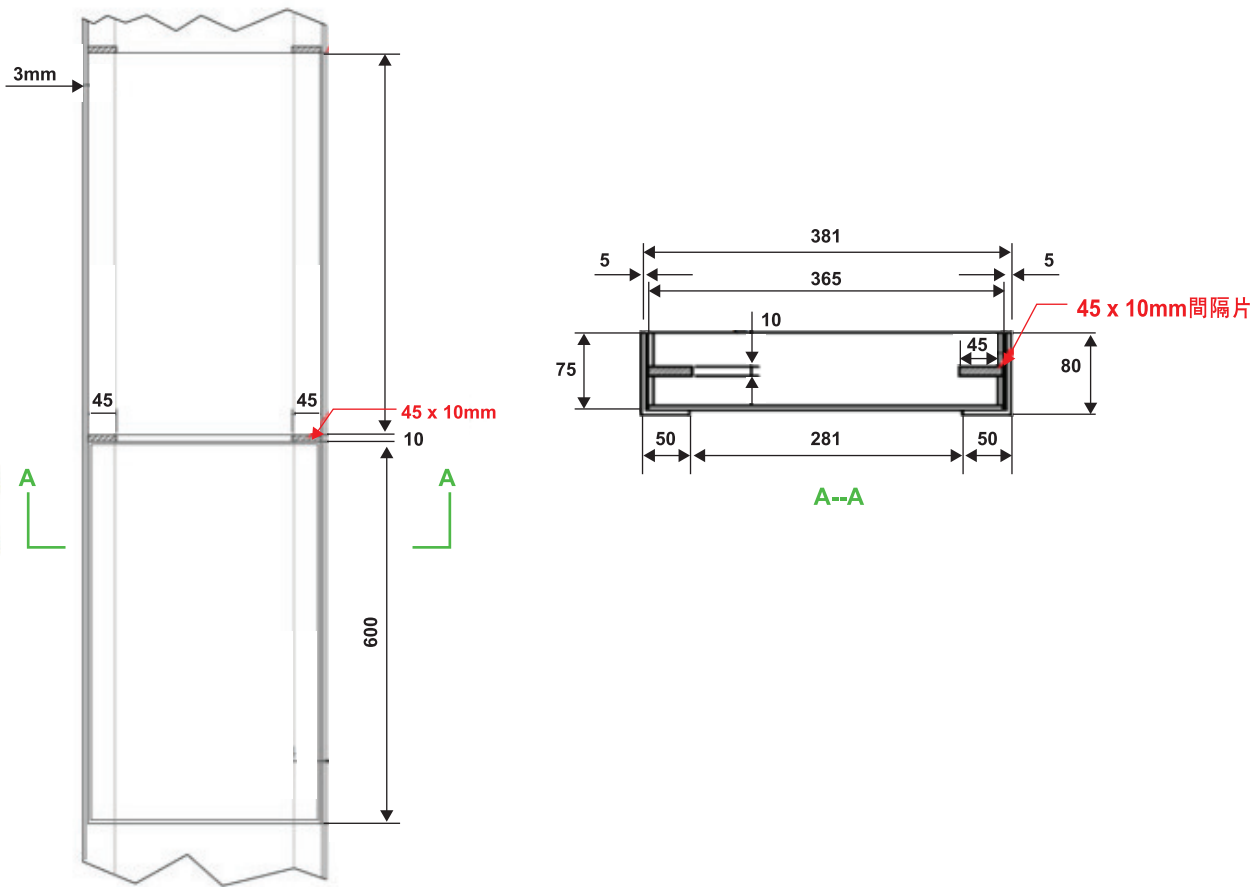


L (mm)	W (mm)	W1 (mm)	H (mm)	THK (mm)
600	225	187	30	3
600	250	212	30	3
600	300	262	30	3
600	350	312	40	5

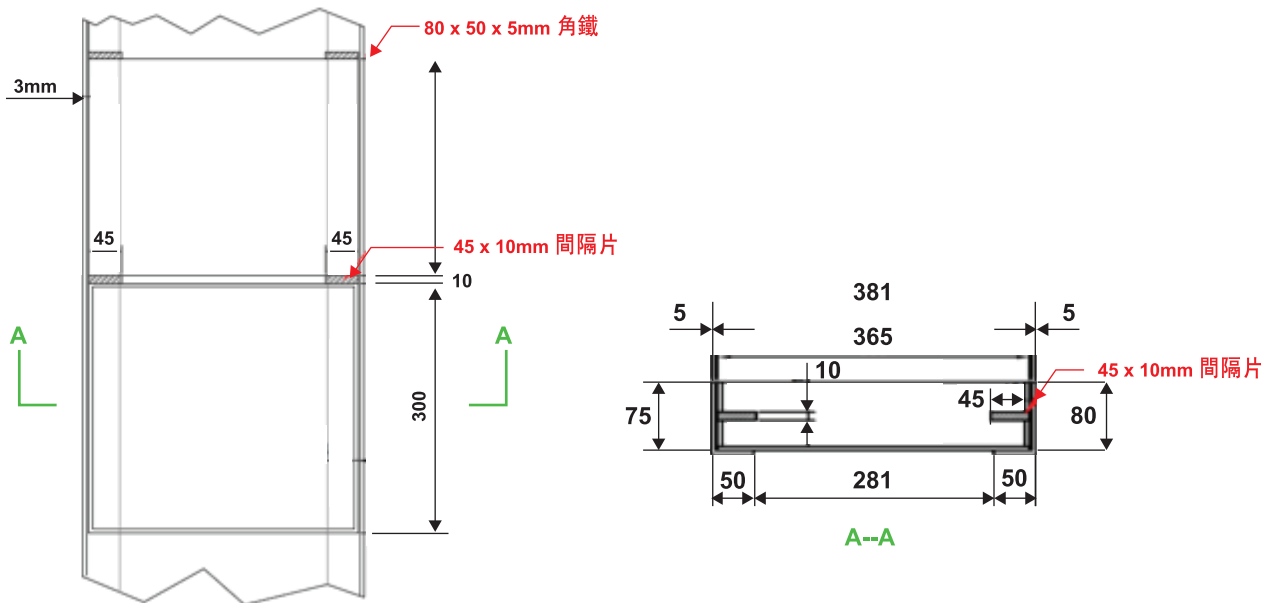


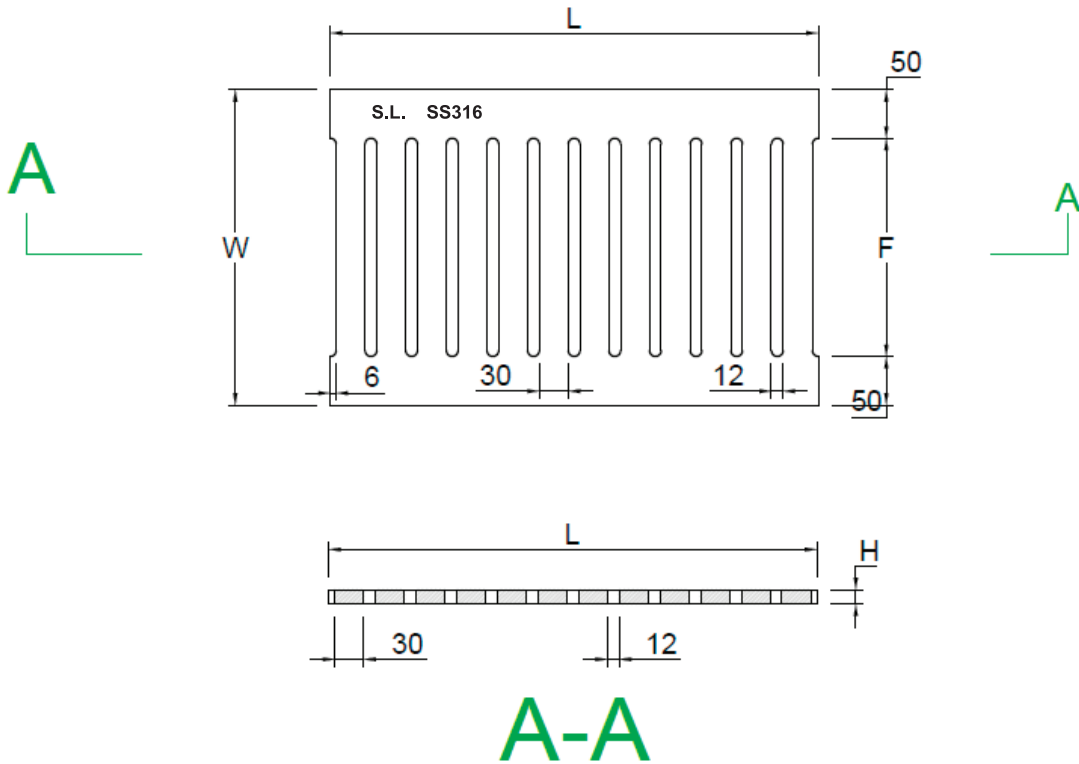
不銹鋼/熱浸鍍鋅砌磚渠蓋 STAINLESS STEEL / HOT DIP GALVANISED MILD STEEL DRAINAGE TRAY

600x365x75mm渠蓋 / 80x50x5mm角鐵組合



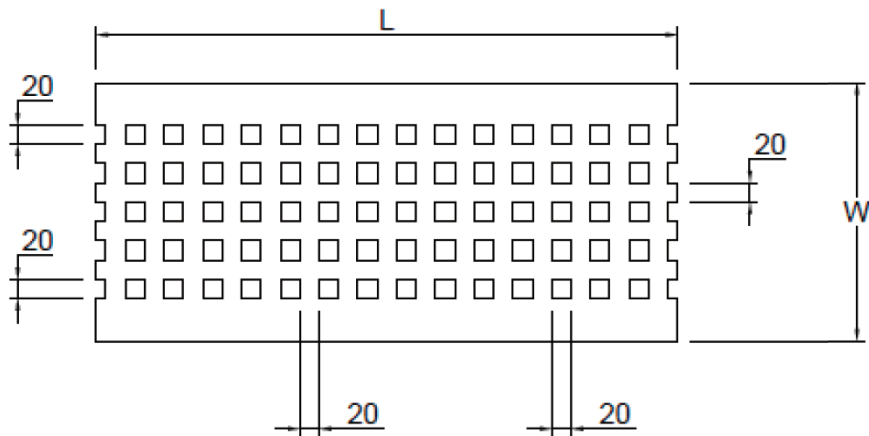
300x365x75mm渠蓋 / 80x50x5mm角鐵組合



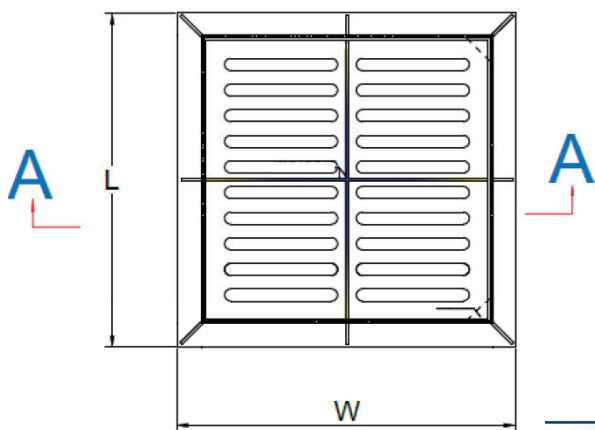


L (mm)	W (mm)	H (mm)		
		輕裝 Light duty	中裝 Medium duty	重裝 Heavy duty
500	250	15	25	25
500	325	15	25	25
500	375	15	25	25
500	400	15	25	25
600	250	15	25	25
600	325	15	25	25
600	375	15	25	25
600	400	15	25	25

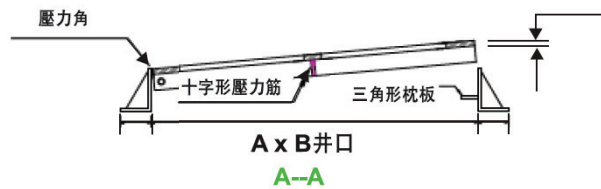
方格梳冷 Square hole gratings



L (mm)	W (mm)	H (mm)	
		輕裝 Light duty	中裝 Medium duty
500	230	10	15
500	305	10	15
500	355	10	15
500	380	10	15
600	230	10	15
600	305	10	15
600	355	10	15
600	380	10	15

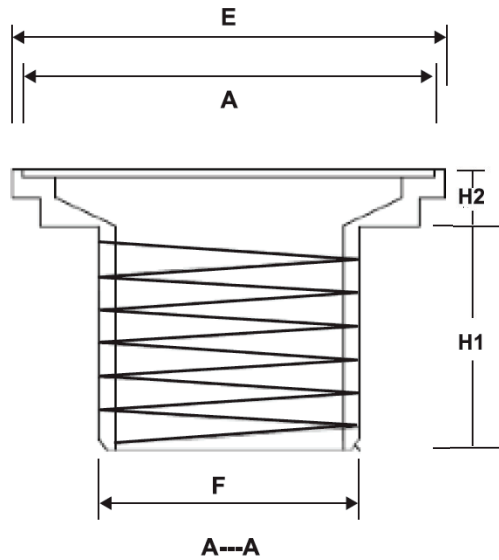
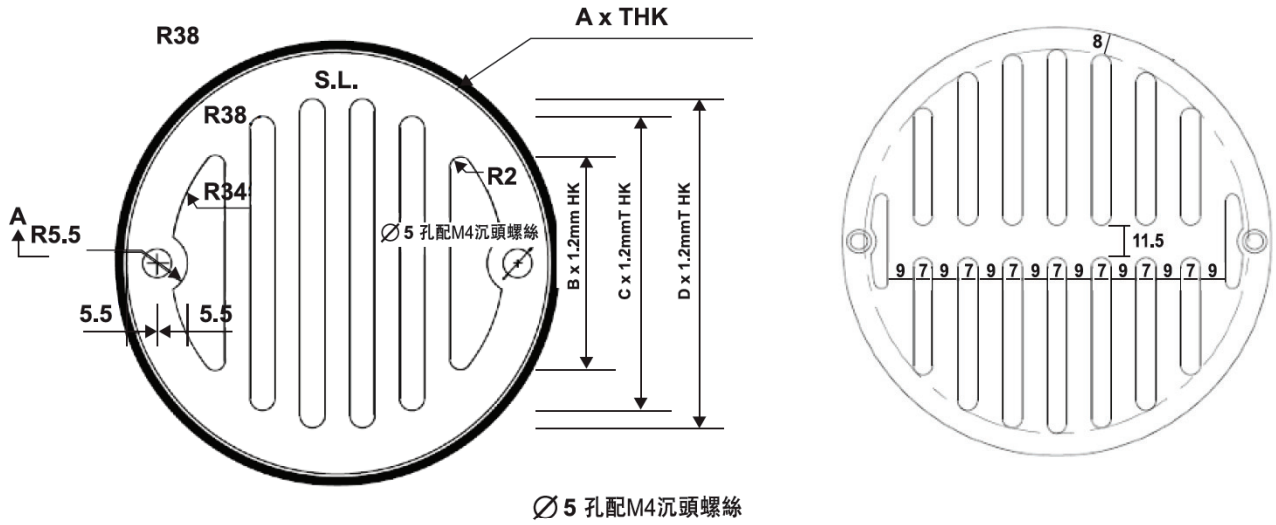


有較梳冷 Hinged grating



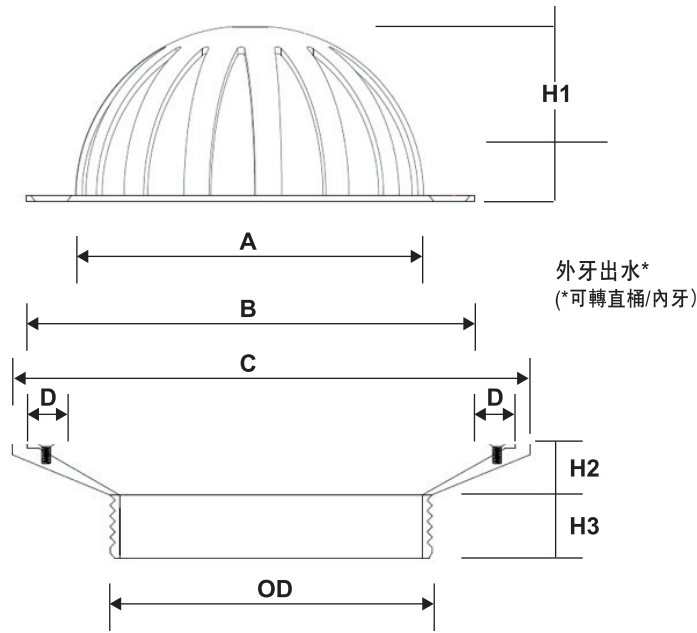
L (mm)	W (mm)	A (mm)	B (mm)	H (mm)	THK (mm)
200	200	150	150	25	3
250	250	200	200	25	4
275	275	225	225	30	5
350	350	300	300	30	5

圓平面去水斗 Floor drain with circular flat grating



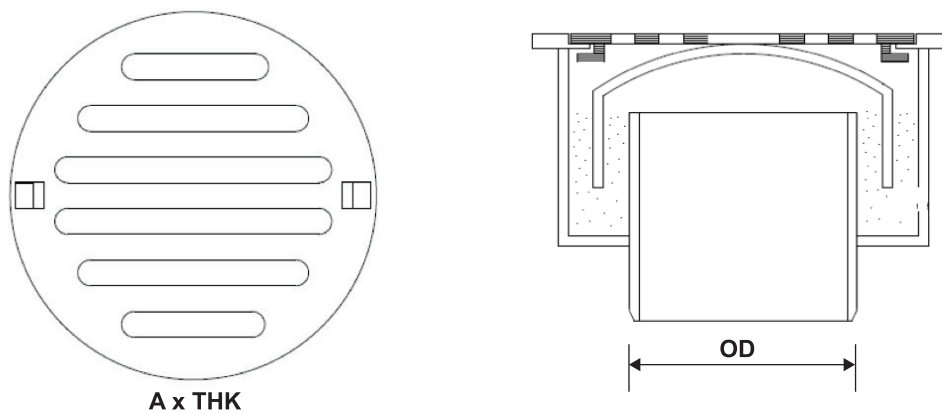
DN (mm)	A (mm)	B (mm)	C (mm)	D (mm)	E (mm)	F (mm)	H1 (mm)	H2 (mm)	THK (mm)
50	76	38	53	59	80.3	51	40	12	1.5
50	98	35	68	80	103	50	50	30	2.0
75	154	n/a	n/a	n/a	165	102	50	10	2.0
100	154	n/a	n/a	n/a	165	102	50	10	2.0
150	200	n/a	n/a	n/a	210	153	60	12	3.0

圓平面去水斗 Floor drain with circular flat grating



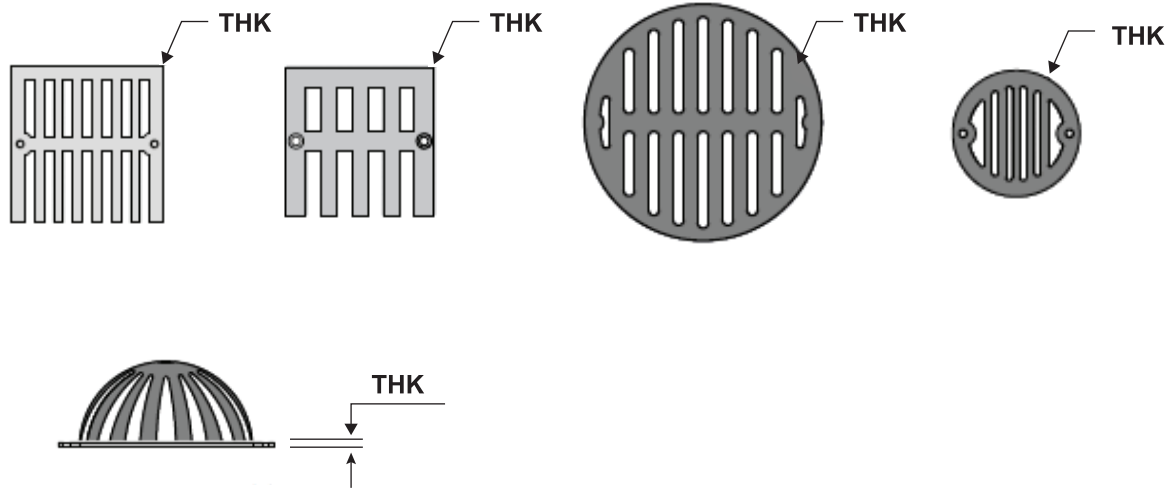
DN (mm)	OD (mm)	A (mm)	B (mm)	C (mm)	D (mm)	H1 (mm)	H2 (mm)	H3 (mm)	THK (mm)
50	57	64	98	102	8	35	25	30	2.0
75	n/a	n/a	n/a	n/a	n/a	n/a	n/a	n/a	2.0
100	n/a	n/a	n/a	n/a	n/a	n/a	n/a	n/a	2.0
150	n/a	n/a	n/a	n/a	n/a	n/a	n/a	n/a	3.0

防臭去水斗 (配紅) Deodorisation floor drain (for connection with epoxy cast iron pipes)

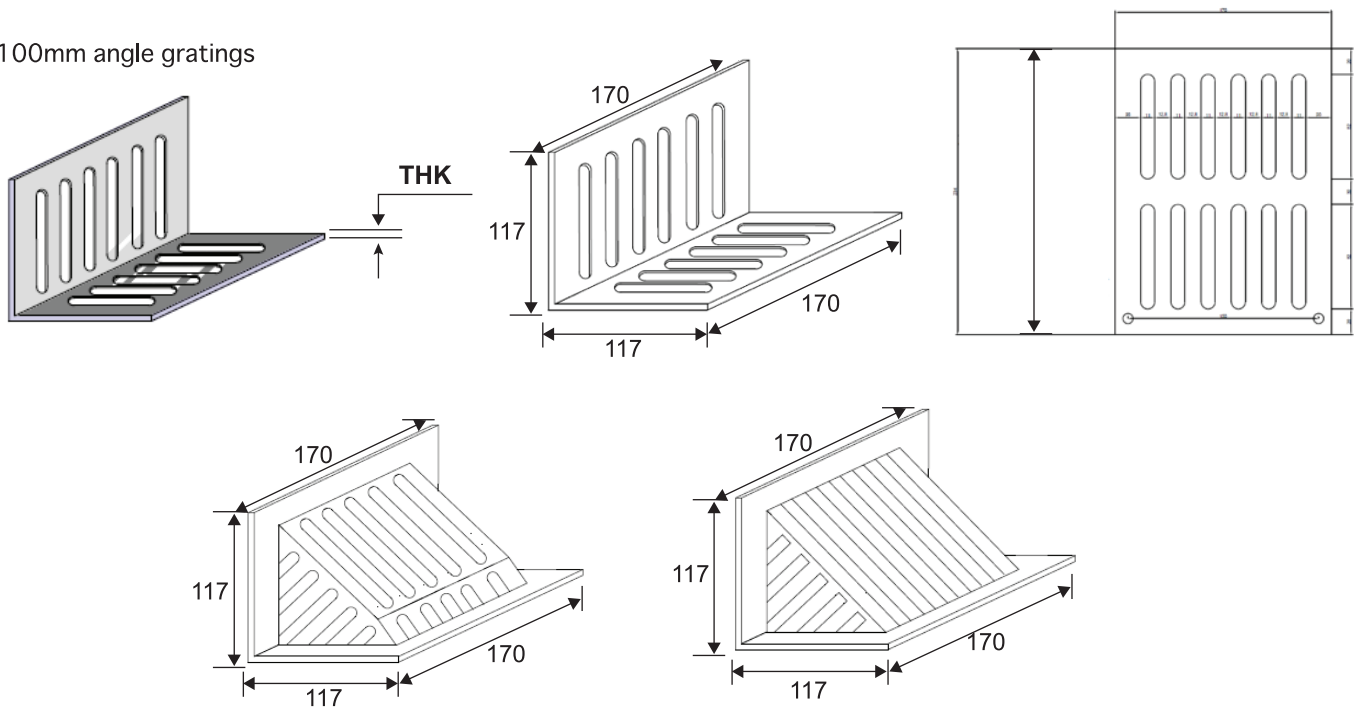


DN (mm)	OD (mm)	A (mm)	THK (mm)
50	48	100	2
75	75	154	2
100	102	154	2
150	140	200	3

水斗梳冷面 Various gratings for floor drains

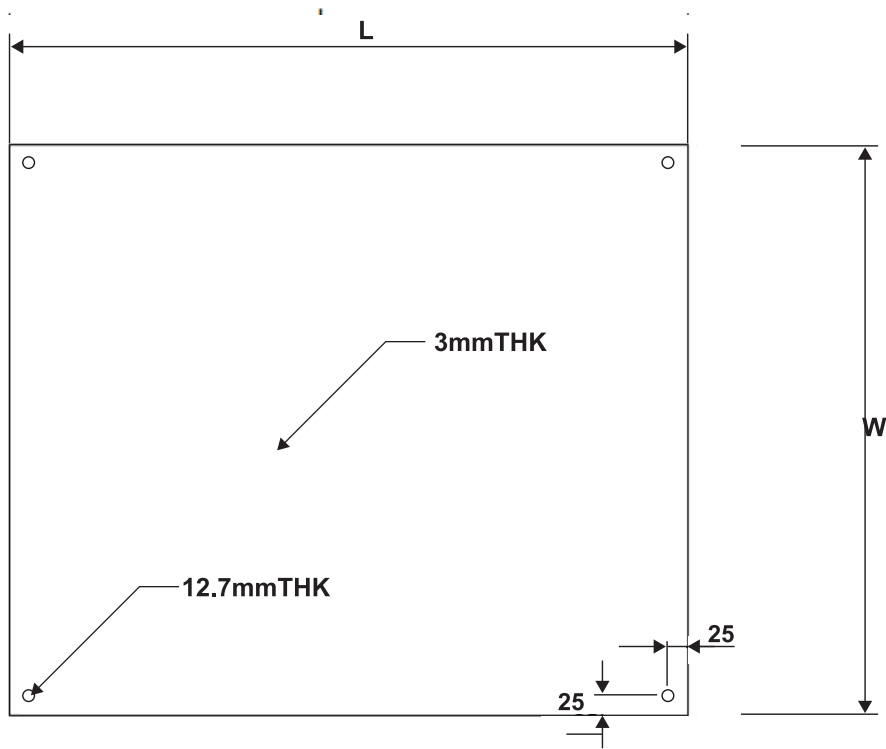


100mm angle gratings



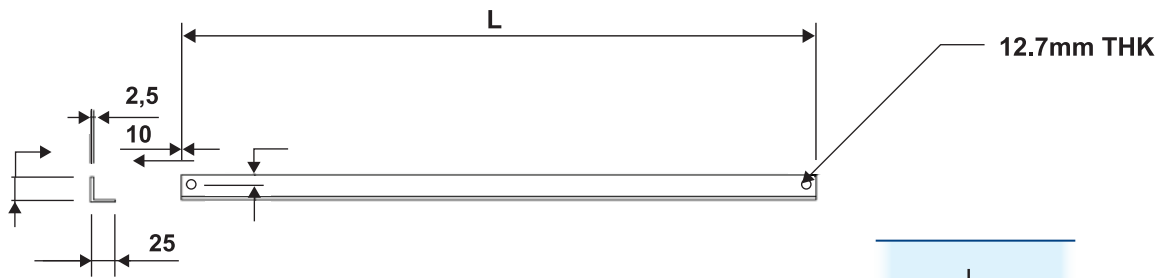
DN (mm)	THK (mm)
50	1.5
75	2.0
100	2.0
150	3.0
200	3.0

**不銹鋼/熱浸鍍鋅板 STAINLESS STEEL / HOT DIP GALVANISED MILD STEEL PANELS**



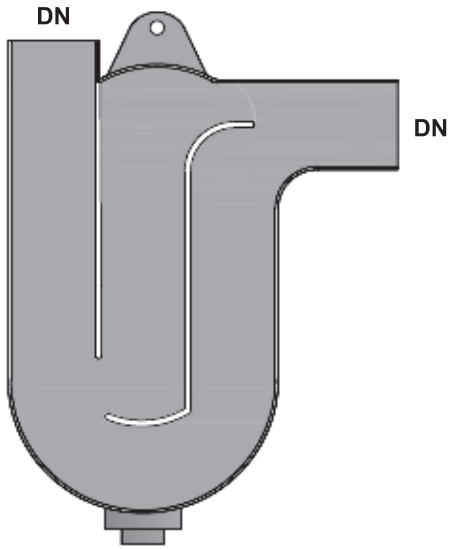
L (mm)	W (mm)
890	500
890	650
890	750
990	500
990	650
990	750
1090	500
1090	650

**不銹鋼角鋼/角鐵 STAINLESS STEEL ANGEL BRACKETS**



L (mm)
640
740
780
840

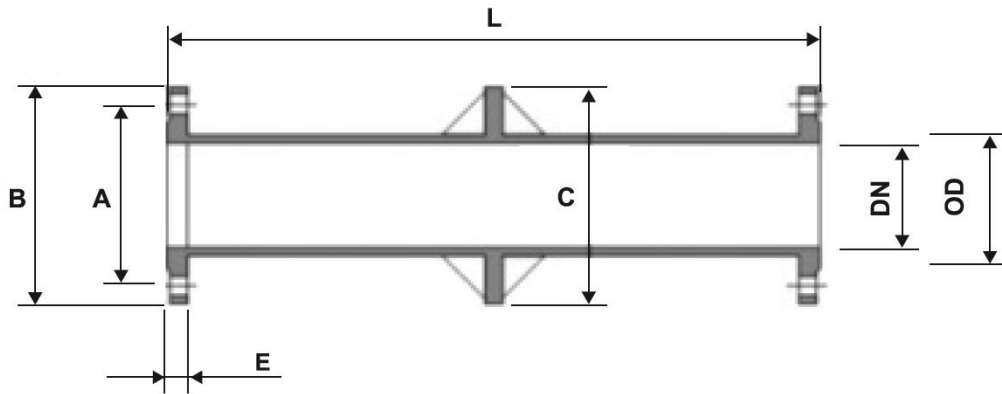
## 黃銅隔氣 BRASS ANTI-SYPHON P-TRAP



DN (mm)	OD (mm)	A (mm)	THK (mm)
50	48	100	2
75	75	154	2
100	102	154	2
150	140	200	3

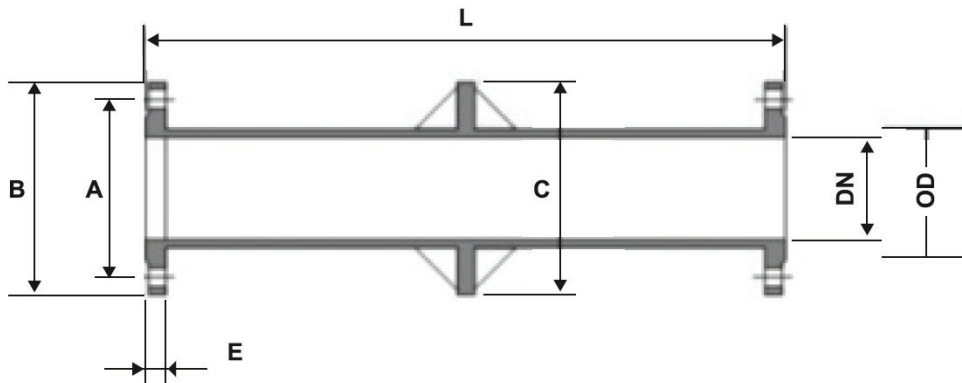


## 不銹鋼佛冷過缸喉 STAINLESS STEEL PUDDLE FLANGES



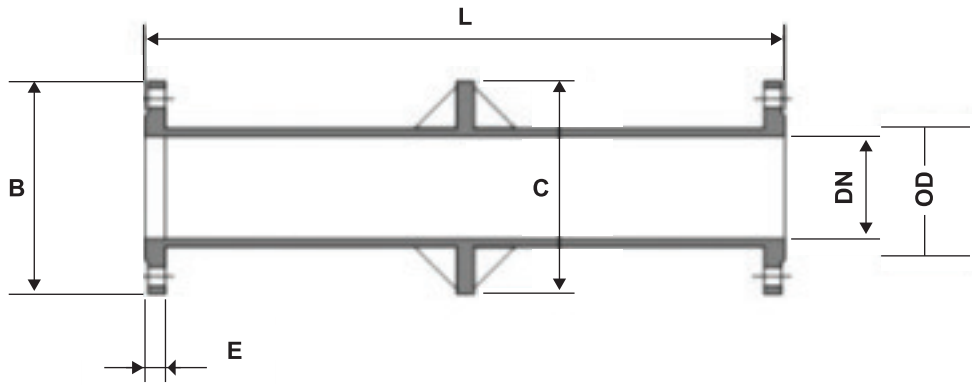
DN (mm)	OD (mm)	A (mm)	B (mm)	C (mm)	E (mm)
32	42	100	140	140	14
50	60	125	165	165	18
80	89	160	200	200	20
100	114	180	220	220	22
150	168	240	285	285	24

## 炮銅佛冷過缸喉 GUNMETAL PUDDLE FLANGES



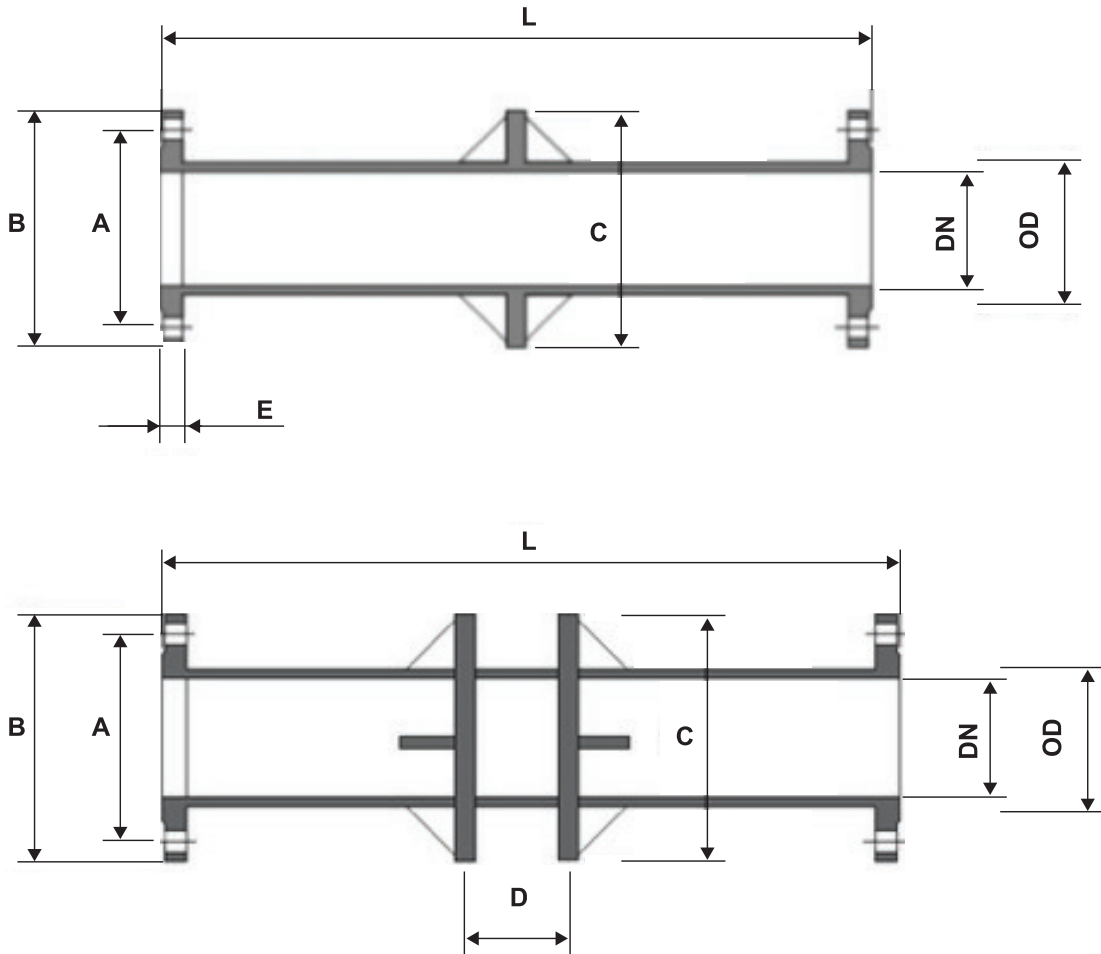
DN (mm)	OD (mm)	A (mm)	B (mm)	C (mm)	E (mm)
32	45	100	140	140	14
40	50	110	150	150	14
50	62	125	165	165	16
65	80	145	185	185	16
80	92	160	200	200	18
100	116	180	220	220	20
150	166	240	285	285	24

# 生鐵拂冷過缸喉 CAST IRON PUDDLE FLANGES



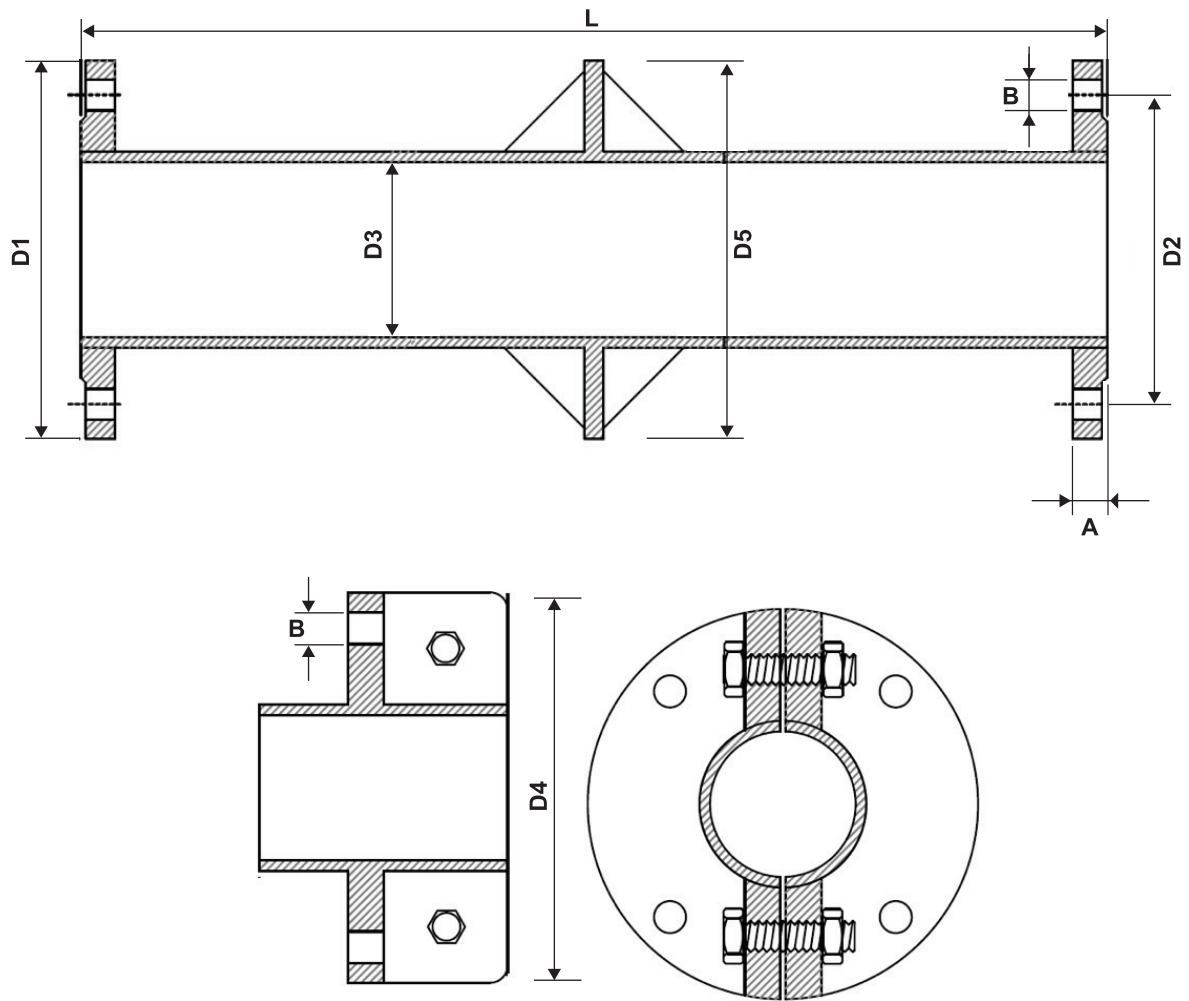
DN (mm)	OD (mm)	B (mm)	C (mm)	E (mm)
80	101	200	200	22
100	123	220	220	24
150	178	285	285	26
200	221	340	340	30
250	280	405	405	32
300	330	460	460	32

## 球墨鑄冷過缸喉(PN16) DUCTILE IRON PUDDLE FLANGES (PN16)



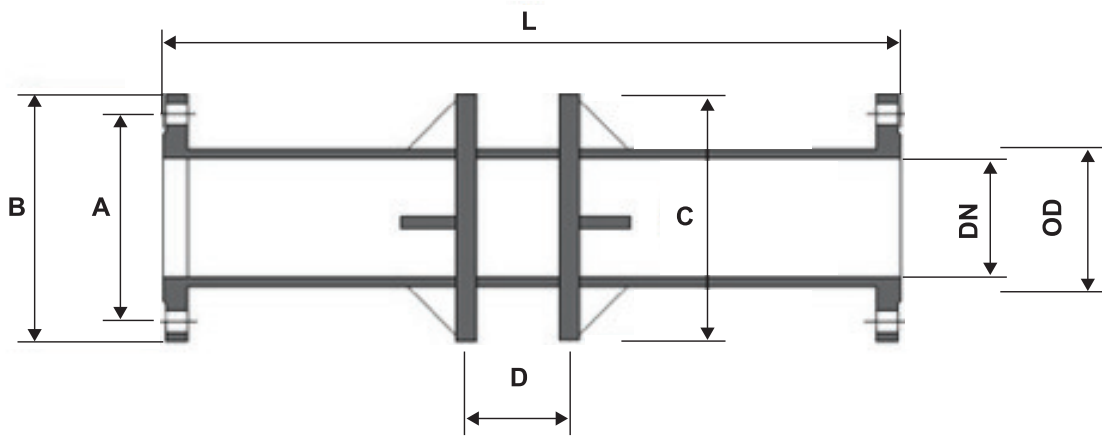
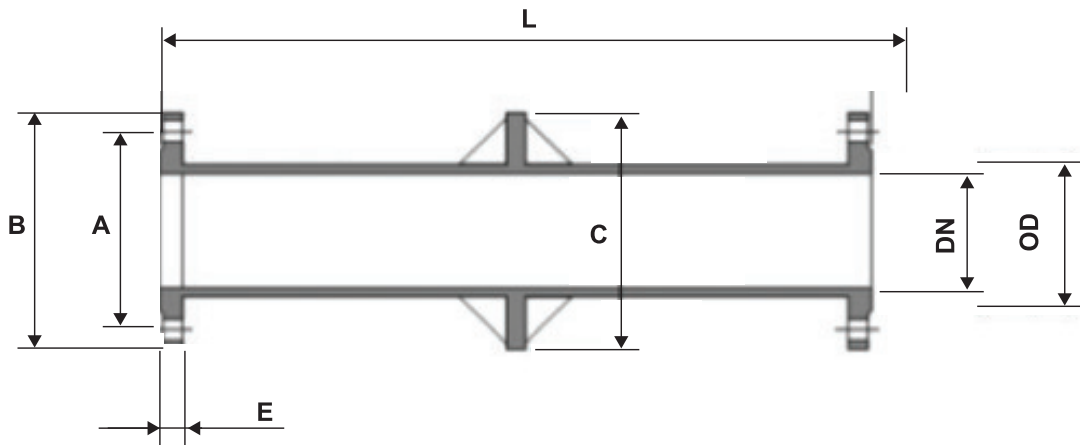
DN (mm)	A (mm) pitch circle dia	B (mm)	C (mm)	D (mm)	E (mm)
50	125	165	165		19
80	160	203	201		19
100	180	220	220		19
150	240	285	285		19
200	295	340	340		20
250	355	400	400	*根據來圖 according to drawing	22
300	410	455	455		24.5
350	470	520	520		26.5
400	522	580	580		28
500	650	715	715		31.5
600	770	840	840		36
700	840	910	910		39.5

球墨佛冷過缸喉配開邊夾 (PN16) DUCTILE IRON PUDDLE FLANGES WITH SPLIT-GLAND CLIP (PN16)



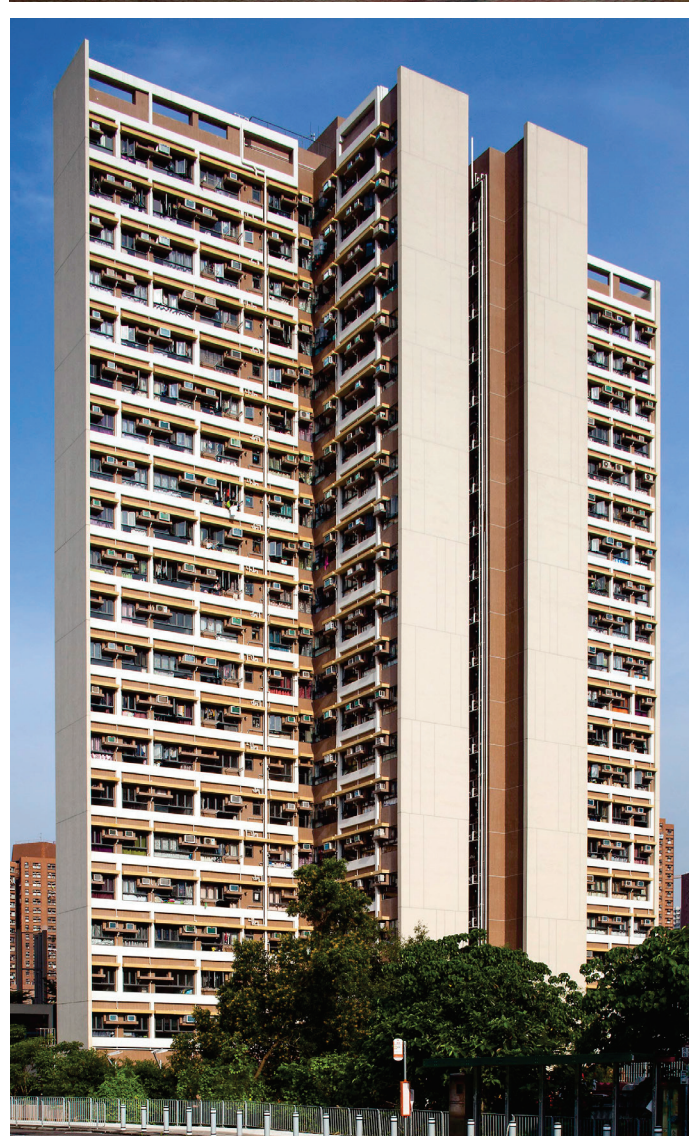
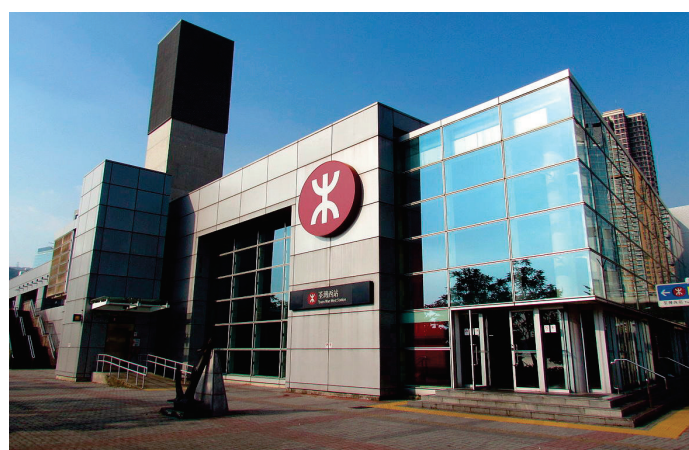
DN (mm) of clipped pipe	Dimensions of puddle flange / clip				
	D3 (mm)	D1/D4/D5 (mm)	D2 (mm)	A (mm)	B (mm)
50	100	220	180	19	19
80	150	285	240	19	23
100	200	340	295	20	23
150	250	400	355	22	28
200	300	455	410	24,5	28
250	350	520	470	26,5	28
300	400	580	525	28	31
350	450	640	585	30	31
400	500	715	650	31,5	34
900	1000	1255	1170	50	44

## 塑膠冷過缸喉 PVC PUDDLE FLANGES



DN (mm)	OD (mm)	A (mm)	B (mm)	C (mm)	D (mm)
32	42	100	136	136	*根據來圖 according to drawing
50	60	120	156	156	
80	89	150	185	185	
100	114	175	211	211	
150	165	240	283	283	
200	216	290	340	340	

# Our Projects





# Contact Us



info@channel-win.com.hk



(852) 2384 8990  
(852) 2785 8789



(852) 2398 7961



Unit C, 20/F., Ford Glory Plaza, 37-39 Wing Hong  
Street, Kowloon  
九龍長沙灣永康街37-39號福源廣場20樓C室

